

User manual

# Mounting Kit

Important! Read the user manual carefully  
and keep it for future use



The Mounting kit has been designed for the Moonboon Baby Hammock, for an optimum suspension of your Baby Hammock in wood and concrete ceilings and wooden beams. Always use the Ceiling Hook and Mounting Strap together – both included in the Mounting Kit.

**WARNING!**

Your baby can fall if the product is not installed correctly.

**WARNING!**

Do not use this product without reading this user manual first

**WARNING!**

If you are in doubt about how to install the product correctly, have a professional craftsman perform the task and make sure he reads the user manual first.

## Contents

---

|          |  |
|----------|--|
| <b>3</b> | <b>How to install the Ceiling Hook</b>       |
| 3        | - What do you need for the installation?     |
| 3        | - Functionalities                            |
| 4        | - Installation                               |
| 5        | - Safety Checklist                           |
| <b>5</b> | <b>How to mount the Mounting Strap</b>       |
| 5        | - What is included?                          |
| 5        | - Functionalities                            |
| 6        | - Mounting the Mounting Strap                |
| 6        | - Adjusting the length of the mounting strap |
| 7        | - Safety Checklist                           |

# How to install the Ceiling Hook?

---

## What do you need for the installation?

---

- 1 x stainless steel Ceiling Hook
- 1 x Fischer plug

Not included in the Mounting Kit

- Wood ceiling or wooden beam:  $\varnothing$  4 mm wooden drill
- Concrete ceiling:  $\varnothing$  8 mm drill for concrete

## Functionalities

---

The Moonboon Baby Hammock Ceiling Hook is designed for a secure ceiling suspension in wood and concrete ceilings and wooden beams.

Always use the Ceiling Hook together with the included Mounting Strap.

# Installation

## Installation in Wood:

Installation can be performed in solid wooden beams and stable wooden ceilings with a thickness more than 12 mm where the hook is mounted.

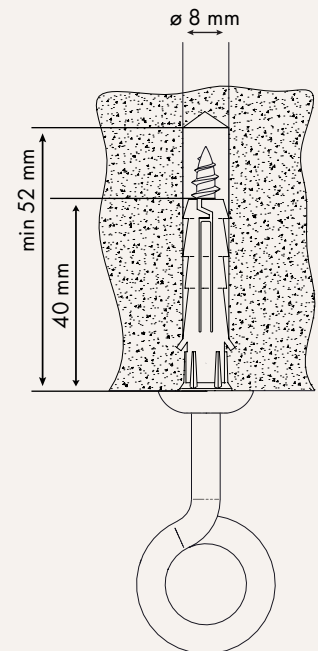
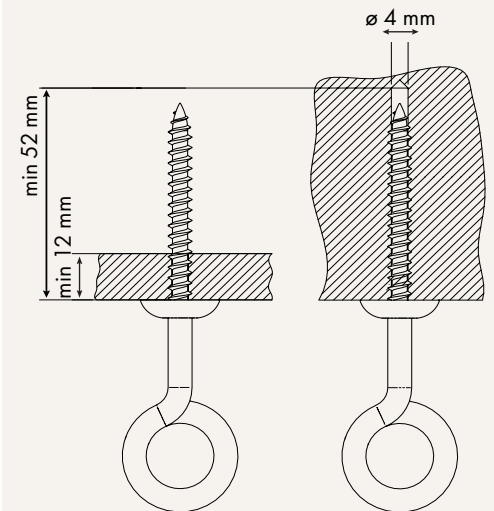
- 1 Use  $\varnothing 4$  mm wooden drill to make a hole of minimum 52 mm in depth.
- 2 Screw in the Ceiling Hook until the white – the white ring - closes tightly against the ceiling.
- 3 The 'rosette washer' secures a nice smooth finish between the hook and the ceiling.
- 4 Check the installation with max. 15 kg. load in the Hammock. Performing this test absolutely no movements of the hook are allowed.

## Installation in concrete ceilings:

Installation can be performed in solid concrete ceilings.

Use  $\varnothing 8$  mm drill for concrete to make a hole of minimum 52 mm in depth.

- 1 Mount the Fischer plug
- 2 Screw in the Ceiling Hook until the white 'rosette washer' – the white ring - closes tightly against the ceiling.
- 3 The 'rosette washer' secures a nice smooth finish between the hook and the ceiling.
- 4 Check the installation with max. 15 kg. load in the Hammock. Performing this test absolutely no movements of the hook are allowed.



## Safety Checklist

---

- Always use the Ceiling Hook together with the included Mounting Strap.
- Before installing the Baby Hammock via the Mounting Strap perform a “wiggle and pull test” of the installed Ceiling Hook. Performing this test absolutely no movements of the hook are allowed.
- Check the installation with max. 15 kg. load in the Hammock, which is also the prescribed maximum weight of use with the Baby Hammock.

## How to mount the Mounting Strap

---

### What is included?

---

1 x Mounting Strap (50 cm long)

- Cover: 100 % Organic GOTS Cotton
- Inside strap: 100 % Nylon

### Functionalities

---

The Mounting Strap comes with 6 loops that allows you to adjust the length of the Mounting Strap to adjust the distance between the Ceiling Hook and the Moonboon Baby Hammock and / or Hammock Motor to suit your needs.

Only use Mounting Strap with the Ceiling Hook that is provided in the Moonboon Mounting Kit.

Follow the instructions carefully for proper and safe use.

## Mounting the Mounting Strap

---

- 1 Attach the Mounting Strap to the carabiner which is attached to the Moonboon Baby Hammock or Baby Hammock Motor.
- 2 Check that the Carabine lever is pulled shut into the locked position, with the screw-lock in locked position to prevent unintentional opening during use.
- 3 Find the loop that fits with the preferred length of the Mounting Strap.
- 4 Attach the chosen loop to the Ceiling Hook, inserting the loop into the open end of the Ceiling hook.
- 5 Leave the excess loops hang from Ceiling Hook

## Adjusting the length of the mounting strap

---

The Mounting Strap can be adjusted in length using 6 loops to shorten or lengthen the Mounting Strap to fit your needs.

Attach the Mounting Strap to the carabiner which is attached to the Moonboon Baby Hammock or Baby Hammock Motor. Check that the Carabine lever is pulled shut into the locked position, with the screw-lock in locked position to prevent unintentional opening during use

To adjust the Mounting Strap, find the Strap loop that fits the wanted length and mount the chosen loop on the Ceiling Hook.

If you want to change the length of the Mounting Strap, detatch the Mounting Strap from the Ceiling Hook, and adjust, by choosing another Strap loop.

## Important!

---

You baby must under no circumstance be placed in the Baby hammock during adjustments. And the Motor must be turned off.

# Safety Checklist

---

Before use:

1. Check that the mounting strap is securely attached to the Ceiling Hook.
2. Check that the Carabine lever is pulled shut into the locked position, with the screw-lock in locked position to prevent unintentional opening during use.
3. Check the full installation with max. 15 kg. load in the Hammock. Performing this test absolutely no movements of the hook are allowed.