

USER MANUAL

MINI FAN

Important: Read the user manual carefully
and keep it for future use.



moonboon
designed for better sleep

IMPORTANT SAFETY INSTRUCTIONS

Carefully read the safety checklist below. When you have checked the list and verified that everything is as described, you may begin using the mini fan. Enjoy!

- This device can be used by children aged 8 and above and by persons with reduced physical, sensory, or mental capabilities, or lack of experience and knowledge, if they have been given supervision or instruction concerning the safe use of the device and understand the hazards involved.
- Children should not play with the device.
- Cleaning and user maintenance should not be carried out by children without supervision.
- Regularly check the cord and all other parts for damage. If any part is damaged the product should not be used.
- Throw away at first sign of damage or weakness.
- Do not attempt to modify or repair the product. This could damage the product and risks causing the battery to generate heat, short circuit or ignite.
- Do not use the product if it overheats, leaks, emits an odor or you notice other irregularities.
- Keep away from fire, direct sunlight, high temperatures and/or humidity.
- Always leave 5mm space around the product for ventilation.
- This product contains rechargeable batteries, that are non replaceable. Battery capacity: 5000 mAh.
- Store product in a dry environment.
- When using the case, always ensure that the mini fan is securely fastened in the case and that the case is securely attached to the mounting surface.
- Do not aim the mini fan directly at your child's face.
- Ensure to place the product out of reach from a child, once the child is able to pull himself or herself up, turn over, or crawl.
- Always keep the mini fan at least 30 cm away from your child's face when it is turned on.

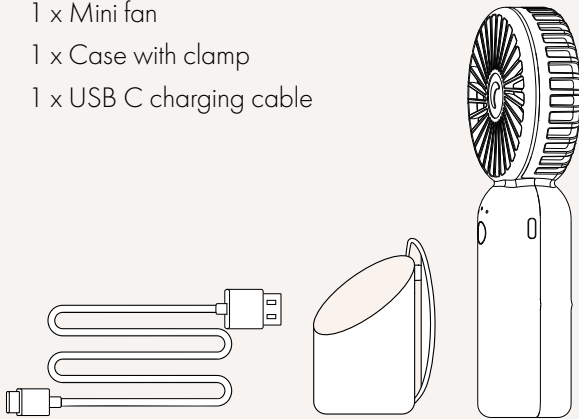
Please note

Make sure to check regularly that the Mini Fan meets all safety requirements.



WHAT'S INCLUDED

- 1 x Mini fan
- 1 x Case with clamp
- 1 x USB C charging cable

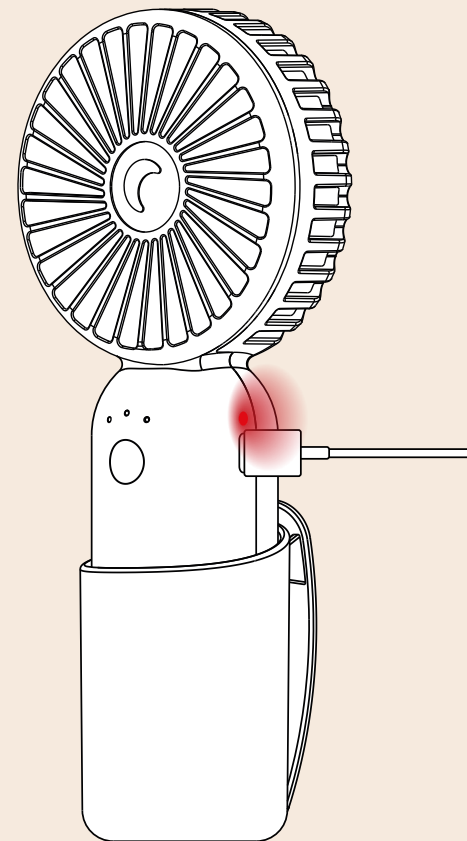


HOW TO USE THE MINI FAN

The mini fan must be charged for at least two hours before first use. To turn on the mini fan, simply press the central button once. This will start the fan at speed setting 1. Press the button a second time to switch to speed setting 2, and press it once more to reach speed setting 3. To turn the fan off, press the button again.

To charge, insert the USB charging cable into the charging plug and connect it to a power outlet. While charging, a small area above the charging port will light up red. The battery is fully charged when this light turns green.

The battery fully charges in 4 hours. With a fully charged battery, the mini fan can run for approximately 36 hours at speed setting 1; 10,5 hours at speed setting 2 and 8 hours at speed setting 3.



Please note

A small LED will light up red during charge. When the mini fan is fully charged, the light will turn green.

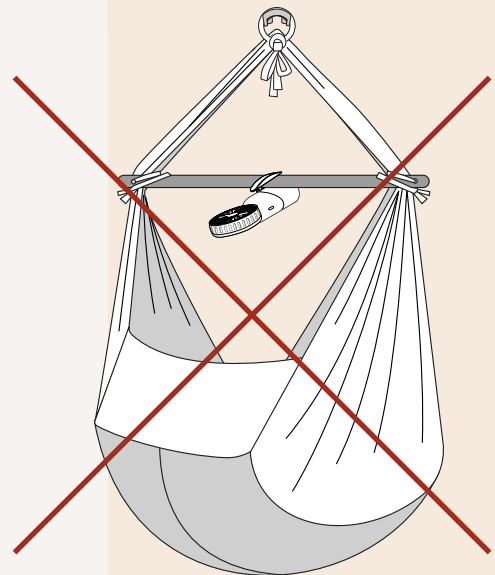
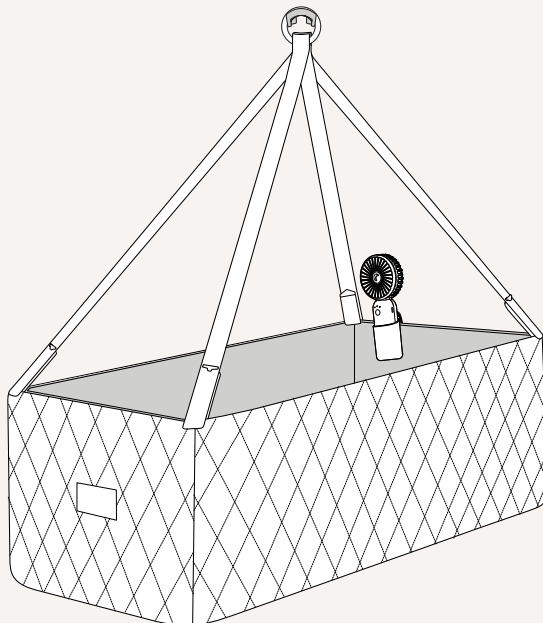
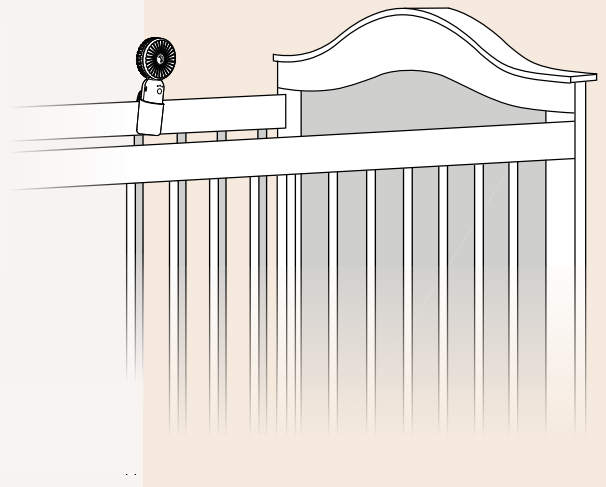
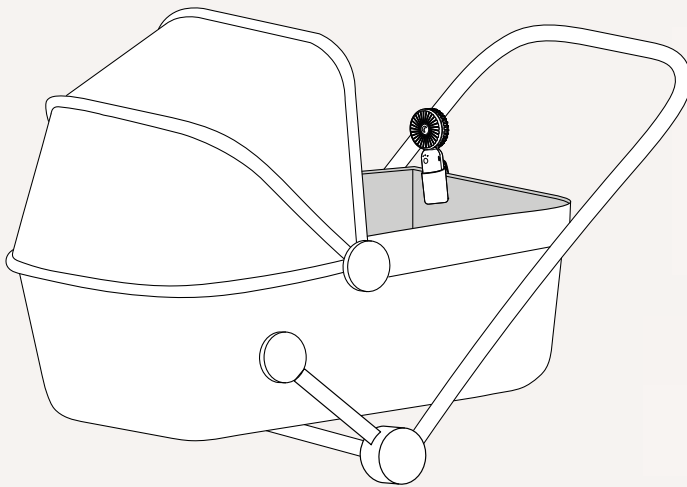
MOUNTING

With the accompanying case with clamp, the mini fan can be mounted onto e.g. the frame of Moonboon's cradle, the frame of your stroller or a kid's bed. Always ensure that the mini fan is securely placed in the case and that the case is securely fastened before use.

Never hang the case directly over a child's head. Never hang the case upside down.

Please note

The mini fan can be mounted on Moonboon's cradle but not mounted on Moonboon's baby hammock.



CLEANING

Disconnect from charging cable before cleaning.

Clean with a duster or damp cloth.

DISPOSAL



This item is labelled with a crossed-out bin, which means that it must not be disposed of with unsorted household waste but must be collected separately.

The item should be handed in for recycling in accordance with the local environmental regulations for waste disposal in your region.

