

User manual

Door frame clamp

Important: Read the user manual carefully
and keep it for future use.



User manual

The door frame clamp is designed to hold a hammock or a hammock with a motor.

The clamp is to be placed above both sides of a door frame.

The maximum width of the door frame holding the clamp is 25 cm (9.8 inches).

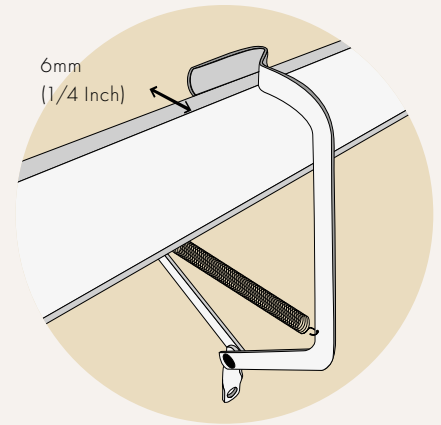
No more than 15 kg (33 lbs) may be hung from the clamp.

Check that the clamp is firmly in place before hanging the hammock.

Height

Ensure that the hammock never touches the floor while hanging from the clamp. You will find the correct height when you stretch out the spring as far as possible. When the spring is fully extended, there must be a minimum of 5 cm (2 inches) between the hammock and the floor. Verify this before placing your child in the hammock.

Most door frames, unfortunately, are not high enough to accommodate the hammock and the motor. When checking the height of a door frame, be sure that there is 5 cm / 2 inches of space under the hammock when the spring is fully extended. In general, you need 220 cm / 7.2 feet between the floor and the top of the door frame to accommodate a hammock and a motor. If there is a doorstep, the 220 cm / 7.2 feet go from the top of the door frame to the doorstep.



Please note

The door frame clamp must be mounted on a vertical wall above the door frame. The door frame must fit snugly against the wall, extend horizontally from the wall and must be at least 6mm (1/4 Inch) deep on both sides.

Make sure the door frame clamp is fastened correctly and that no cords are routed over the door frame.

More questions?

Moonboon has put together a FAQ of our most commonly asked questions and their answers. Click the link below or scan the QR-code to see the list.



moonboon.com/pages/FAQ

Safety checklist

When you have checked the below and verified that everything is as described, you may begin using the door frame clamp. Enjoy!

- The door frame clamp may be mounted on a door frame no wider than 25 cm /9.8 inches.
- Check that the carabiner is closed and locked correctly every time you use the baby hammock fastened to the door frame clamp.
- The clamp must not be used if rust appears on its spring or if any other damage becomes visible.
- Moonboons door frame clamp has been developed to work with Moonboons baby hammock and motor. If you use a baby hammock and/or motor of a different brand, we can't guarantee that it can be mounted properly or will function correctly.
- Contact Moonboon concerning new components or if any parts are missing. NEVER REPLACE original parts with other components.
- Only mount the baby hammock in its original parts. Avoid using alternative parts of hanging the baby hammock.
- Stop using the door frame clamp if there are visible damages to the metal parts.

Please note

Check the door frame clamp on a continuous basis to ensure that it meets all the requirements of the safety check list.